

1

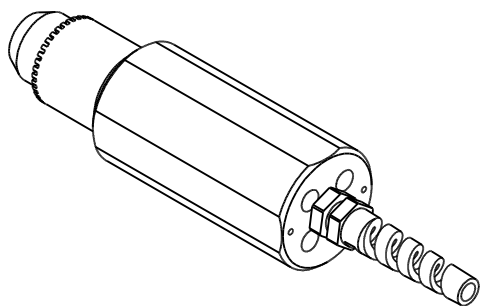
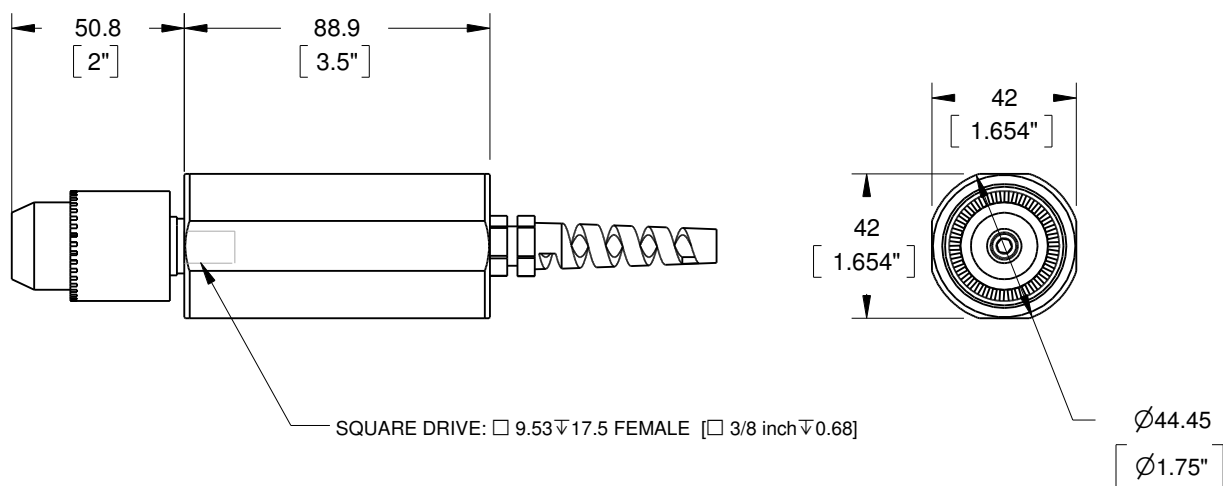
2

3

4

TORQUE GAUGE WITH HANDLE SENSOR

CAPACITY: 0.12Nm / 0.3Nm / 1.5Nm / 6Nm / 12Nm
WEIGHT: 300g (520g with drill chuck)
CAPACITY DRILL CHUCK: 1.5 - 10mm [1/16 - 3/8 inch]
SQUARE DRIVE: □ 9.53 ∇ 17.5 FEMALE [□ 3/8 inch ∇ 0.68]



Drawn name:		Assembly name:	
FICHE PRODUIT		Assembly TH	
		Date of creation:	
		25/08/2016	
Drawn by:	Item:	Ref assembly:	
Clint ARNOULD			

1 25/08/2016

ORIGINE

Rev:	Date:	Description:
2	13/10/2016	CHANGE LENGTH

CHANGE LENGTH

1

2

3

4