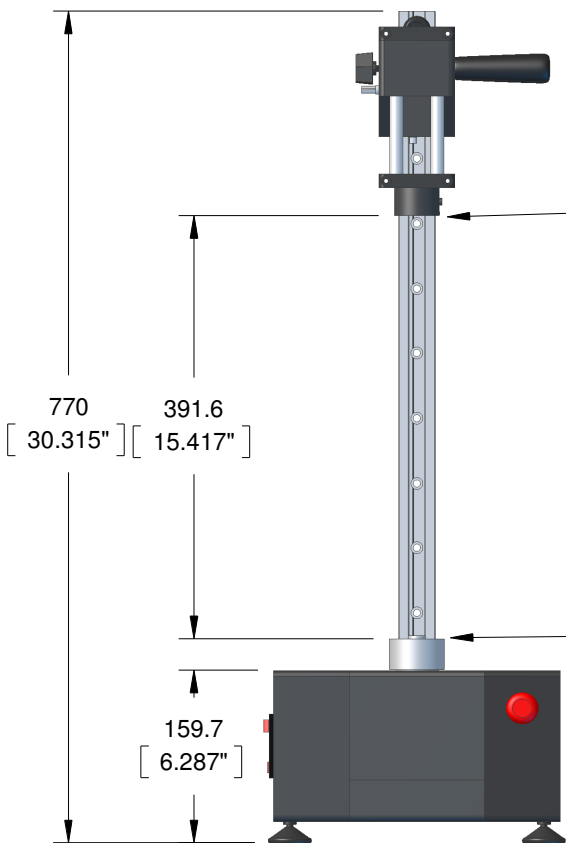
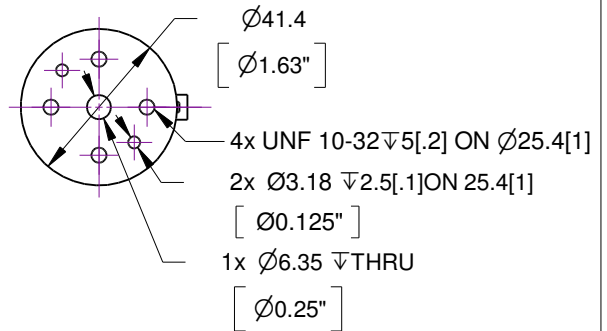


# DRIVETORK

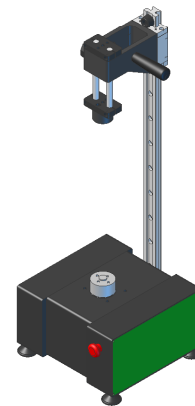
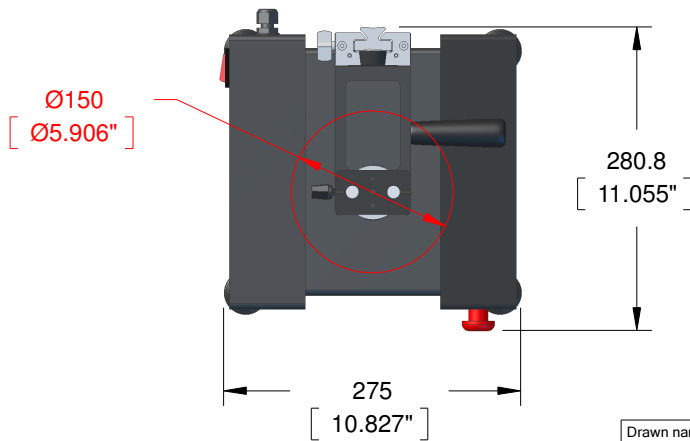
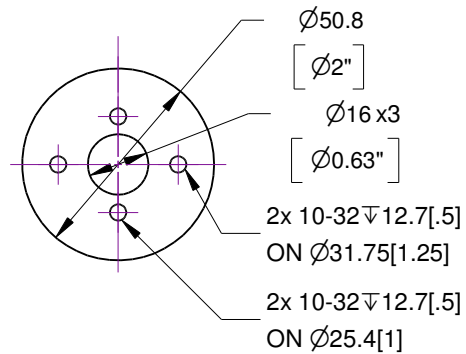
**CAPACITY:** 3Nm/ 6Nm/ 12Nm [25/ 50/ 100 lbin]  
**SPEED:** 1tr/min to 10tr/min  
**MAXIMUM DIAMETER OF THE SAMPLE:** 10-150mm[0.4-5.9 inch]  
**MAXIMUM HEIGHT OF THE SAMPLE:** 0-350mm[0-13.8inch] with accessoires  
**WEIGHT :** 15kg [21lbs]  
**POWER SUPPLY:** 110/220V




## SENSOR



## TORK AXIS



Drawn name:		Assembly name:	
FICHE PRODUIT		DRIVETORK	
		Date of creation:	
		13/07/2016	
Rev:	Date:	Description:	
1	28/07/2016	ORIGINE	
Drawn by:	Item:	Ref assembly:	
CA			

1	28/07/2016	ORIGINE	CA	
---	------------	---------	----	--

1

2

3

4

# CONTROLS BOX

FONCTIONNALITE: motor control and measurement

A

A

B

B

C

C

D

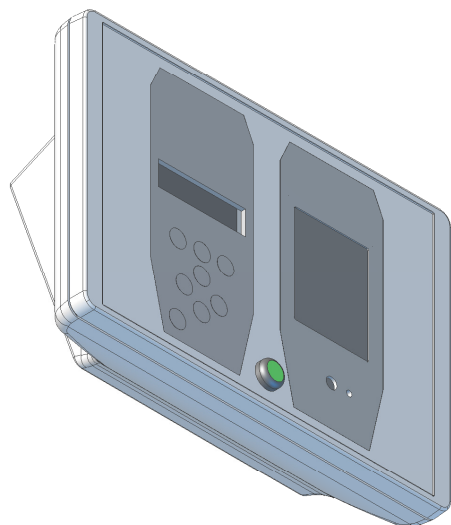
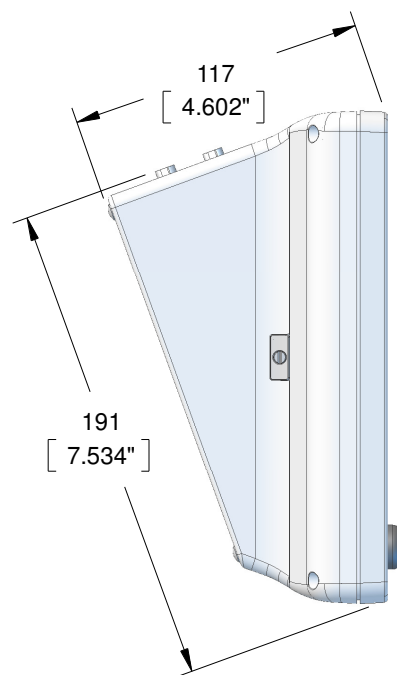
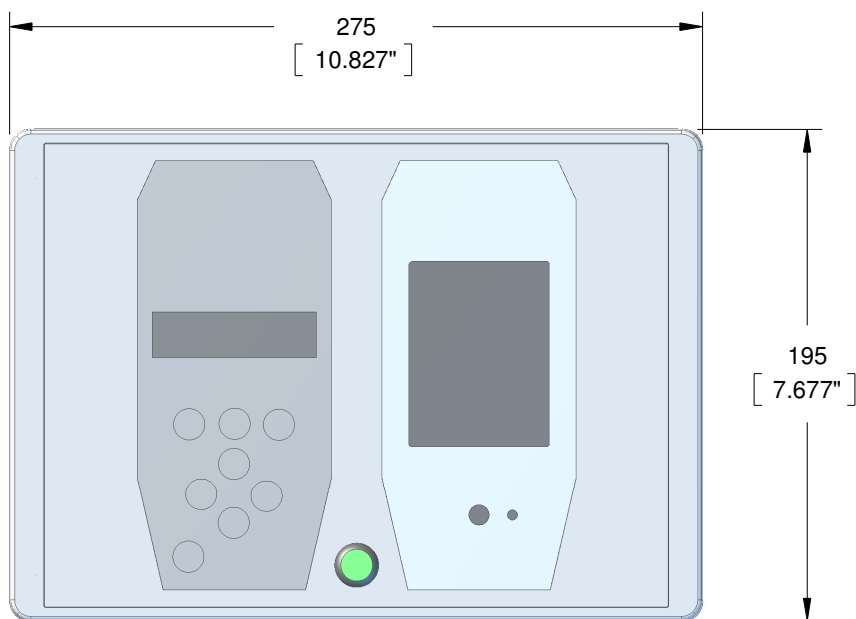
D

E

E

F

F



Drawn name:		Assembly name:	
FICHE PRODUIT		CONTROLS BOX	
Date of creation:			
29/07/2016			
Rev:	Date:	Description:	
1	29/07/2016	ORIGINE	
Drawn by:	Item:	Ref assembly:	
CA			

1

2

3

4