

1

2

3

4

ERGOBAR

CAPACITY:

1000N [224lbs]

DIAMETER OF THE CART HANDLE:

Ø21 to 40mm [Ø0.827 to 1.575"] WITH EXTENSION Ø55mm[2.165"]

MAXIMUM WIRELESS RANGE:

20m [65ft]

ACCURACY:

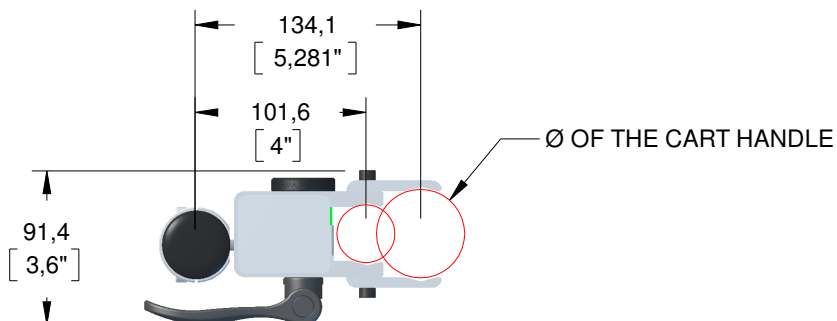
0.5%FS

WEIGHT:

2.5kg [4.9lbs]

A

A

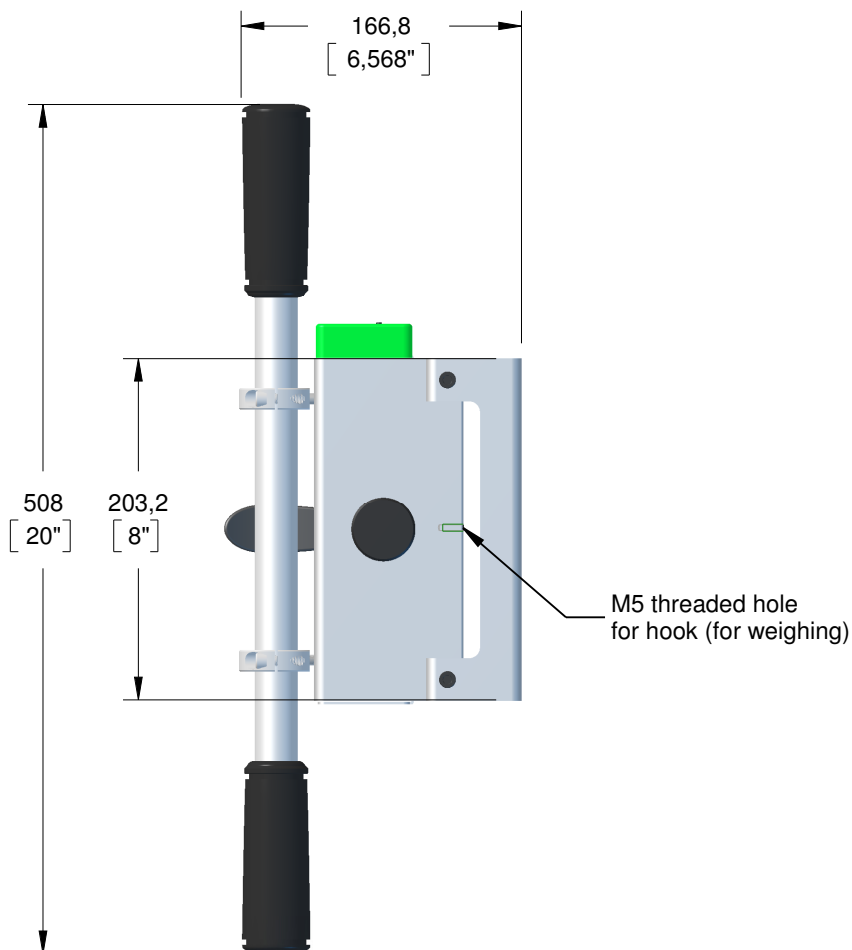


B

B

C

C

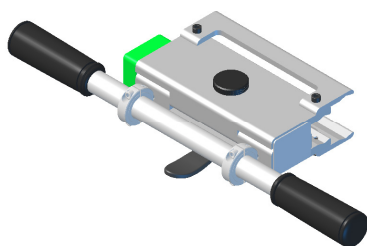


D

D

E

E



F

F

| | |
|-------------------|------------------|
| Drawn name: | Assembly name: |
| DATASHEET | Assembly Ergobar |
| Date of creation: | |

| | | |
|-----------|-------|---------------|
| Drawn by: | Item: | Ref assembly: |
| ANDILOG | | ERGOBAR |

| | | |
|------|------------|--------------|
| Rev: | Date: | Description: |
| 2 | 25/02/2019 | ORIGINE |

1

2

3

4