

1

2

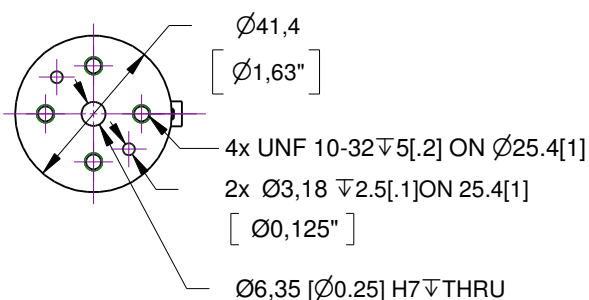
3

4

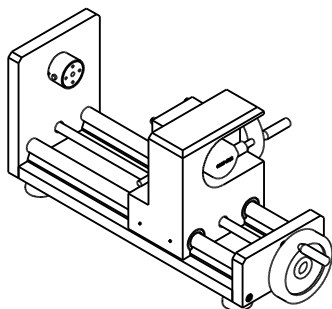
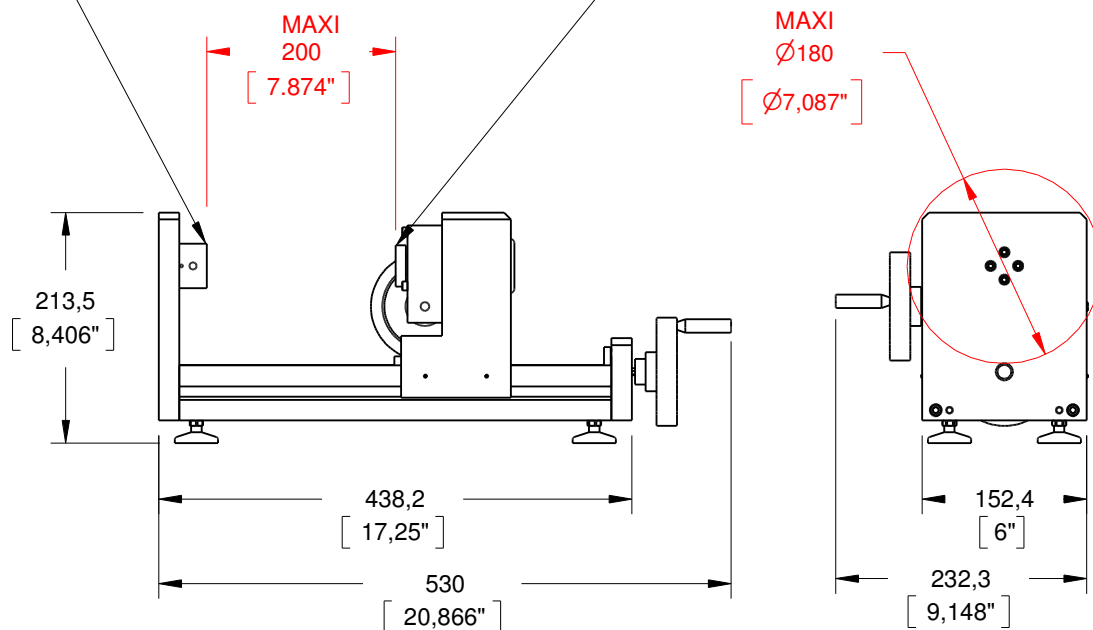
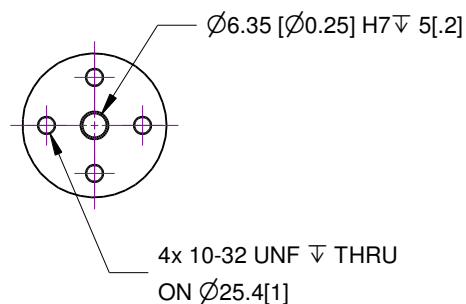
TWIST

CAPACITY: 0.35Nm to 40Nm
ANGLE RESOLUTION: 0.1°
MAXIMUM DIAMETER OF THE SAMPLE : 180mm[7.09 inch]
MAXIMUM LENGTH OF THE SAMPLE: 200mm[7.9 inch] with accessoires
WEIGHT : 13kg [28lbs] up to 24Nm 14kg[31lbs]above
POWER SUPPLY: 110/220V

SENSOR



TWIST AXIS



Drawn name:		Assembly name:	
FICHE PRODUIT		TWIST	
		Date of creation:	
		02/09/2016	
Rev:	Date:	Description:	
2	15/10/2018	ADD INFORMATIONS	
Drawn by:	Item:	Ref assembly:	
CA			

1

2

3

4

1

2

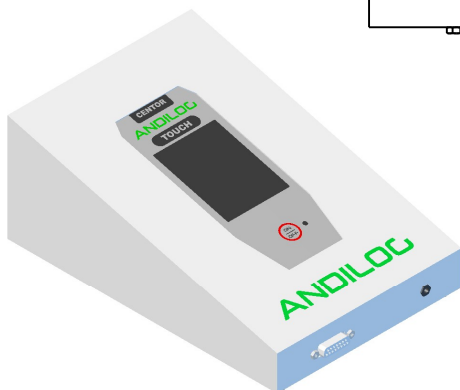
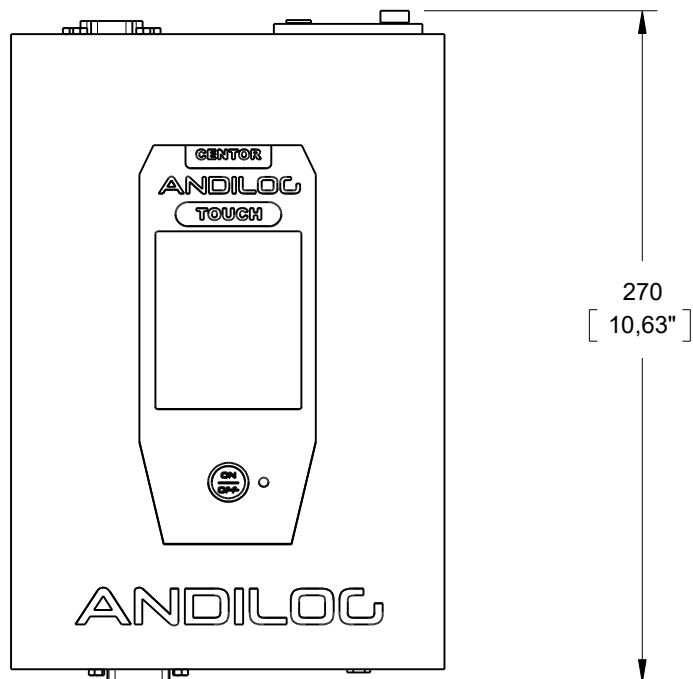
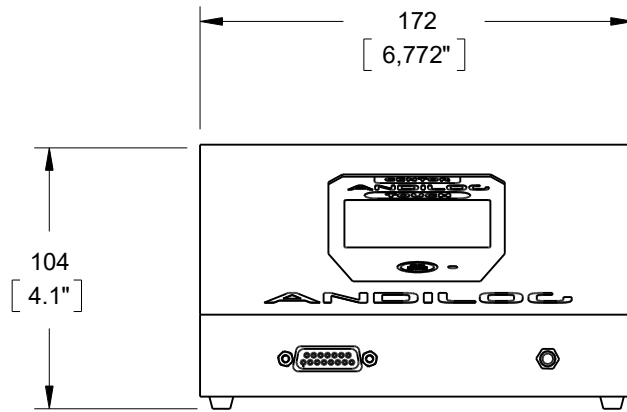
3

4

TABLETOP CENTOR TOUCH

ALIMENTATION:
WEIGHT:

110 - 220 Vac
2.8kg [4.4 lb]



Drawn name: DATASHEET Assembly name: TABLETOP CENTOR TOUCH

ANDILOG **COM-TEN**
FORCE MEASURING TECHNOLOGIES INDUSTRIES

Date of creation:
29/08/2018

Rev: 1 Date: 29/08/2018 Description: ORIGINE

Drawn by: CA Item: Ref assembly: CNR CTT

1

2

3

4