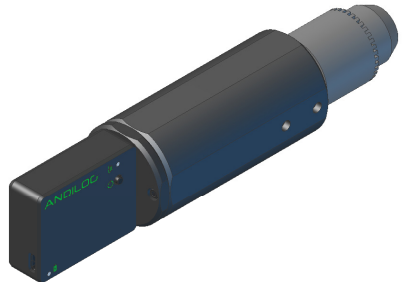
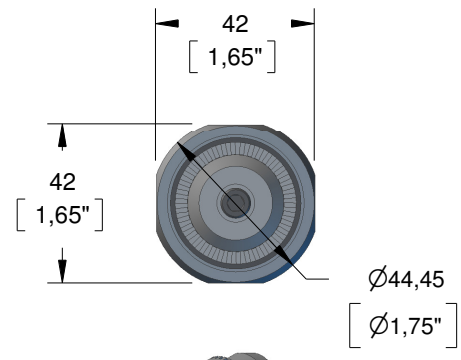
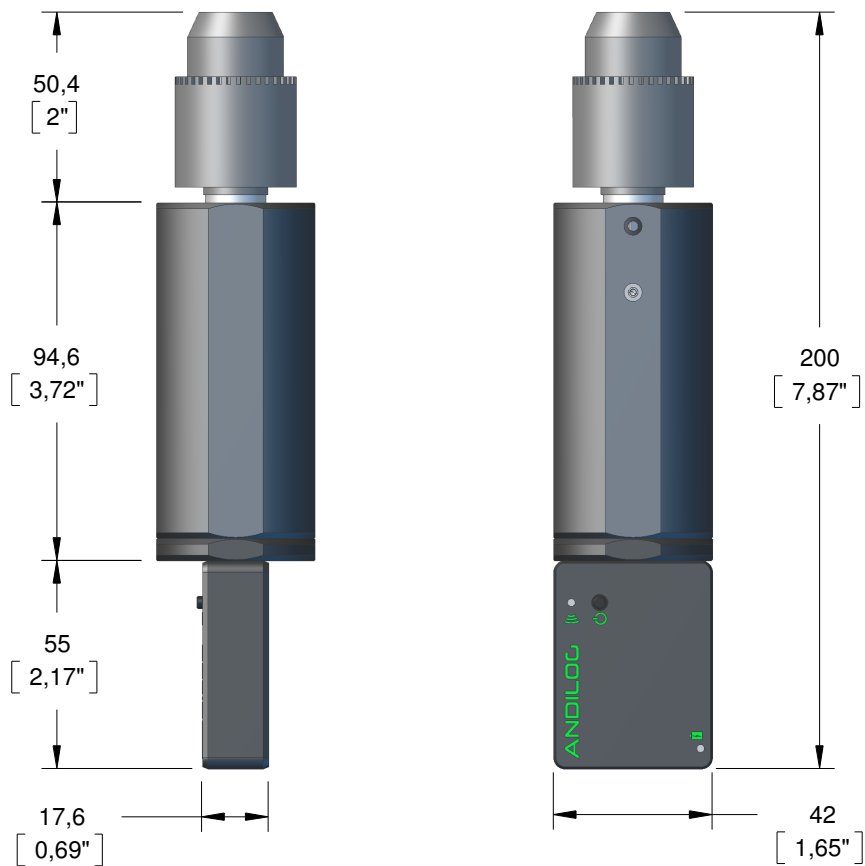


TORQUE GAUGE WITH HANDLE WIRELESS SENSOR

CAPACITY: 0.12Nm / 0.3Nm / 1.5Nm / 6Nm / 12Nm
WEIGHT: 340g (560g with drill chuck)
CAPACITY DRILL CHUCK: 1.5 - 10mm [1/16 - 3/8 inch]
SQUARE DRIVE: □ 9.53▽17.5 FEMALE [□ 3/8 inch▽0.68]
WIRELESS RANGE: 20m [65ft]
ACCURACY: 0.25%FS
CHARGE INPUT: 5Vcc micro USB
BATTERY LIFE: 10H



Drawn name: DATASHEET		Assembly name: Assembly TH Bluetooth	
Date of creation: 04/06/2018			
Drawn by: C A	Item:	Ref assembly: WLC TH	

1	04/06/2018	ORIGINE
2	14/05/2019	CHANGE COVER FOR NEW ELECTRONIC