



# CENTOR Easy Digital force gauge

TECHNOLOGIES  
**ANDILOG**



Centor Easy

## Complete gauge for tests in production

The **CENTOR Easy** force gauges are designed to meet the production needs of its users. This group offers several features which are indispensable today for Quality Control, for example: ease of reading with its large backlit graphical display, RS232 output, memory of the last 100 values and ability to set thresholds with visual and sound alarms.

Its highly efficient measurement chain enables it to use a sampling rate of 1,000 Hertz with a resolution of 1/10,000 FS and a total error of less than 0.1% FS.

A statistics feature is available on the Centor

EASY models: the average and standard deviation of the current batch are calculated and displayed after each measurement. All the values of the production batch are kept in the memory and can be sent to a computer by RS232. The operator is spared any data entry, knows his results in real time and saves everything at the end of the tests.

The entirely configurable RS232 output sends the data to a PC. A digimatic output can be used with a printer for statistics.

**Designed for use in an industrial environment, it is an ideal tool for tests during production.**

## Specifications

FEATURES	CENTOR EASY
Accuracy	0,1 % PE
Resolution	1/10 000 PE
Display peak and current reading in the same time	√
Units	N, Lb, Kg, g, Oz
Bargraph	√
Sampling rate	1 000 Hertz
Tare	√
Auto-off	Adjustable from 5 to 15 minutes
Force limit	√
Average and standard deviation	√
Low battery indicator	√
Peak in tension and compression	√
Memory for setup	√
RS232 output	Send current reading, peak or minimum
Fast charge	√
Reversible display	√
Digimatic output	√
Analogic output	+/- 1 V
TTL input and output	√
Backlit display	√
Sensor protected from overloads up to 200% of its capacity	√
Operates on rechargeable batteries	√
Operation without recharging	8 hours
Metal casing	√
Protective elastomer overmould	√
Certificate of calibration included	√
Power supply	110V / 220V

## Statistics

Statistics feature with automatic calculation of the average and standard deviation on the 100 values in the memory.

MES / ECH	3
OPER	01
Unite	N
STATS	MXI
Nbech	002
Moy	12.33
001	12.334
001	12.332
001	12.331
002	12.335
002	12.334
002	12.330

## Option - Softwares

Caligraph software compatible: Data acquisition and analysis of curves with real time graphing thru RS232 or USB.

RSIC software compatible : Download your results to Microsoft Excel using your RS232 comport.

## Models and capacities

MODELS	CAPACITIES	ACCURACY	RESOLUTIONS
CNR EA 10	10 N	0.01 N	0.001 N
CNR EA 25	25 N	0.025 N	0.0025 N
CNR EA 50	50 N	0.05 N	0.005 N
CNR EA 100	100 N	0.1 N	0.01 N
CNR EA 250	250 N	0.25 N	0.025 N
CNR EA 500	500 N	0.5 N	0.05 N
CNR EA 1000	1000 N	1 N	0.1 N

# CENTOR Easy Digital force gauge

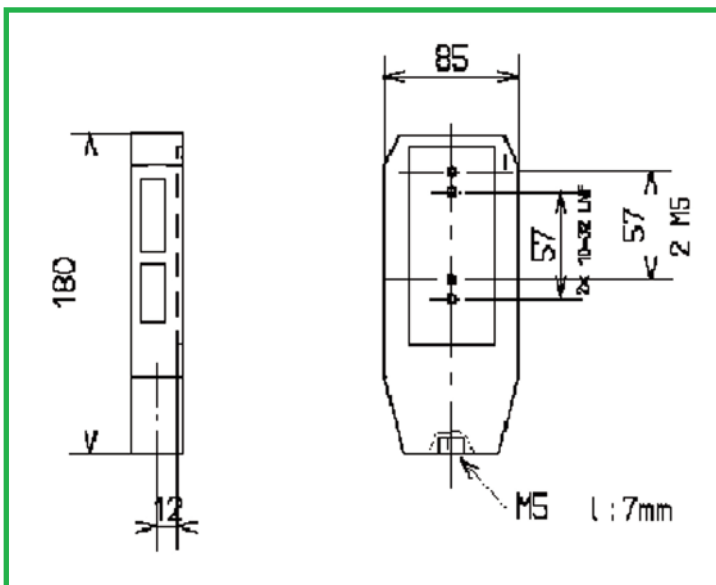
TECHNOLOGIES →  
**ANDILOG**



## Display indicator and keypad



## Dimensions



## Accessories

Our force gauges are delivered in a carrying case with power supply, certificate of calibration and accessories (hook, plate diameter 19mm, rod)



TECHNOLOGIES →  
**ANDILOG**



Certifié ISO 9001:2000

**ANDILOG Technologies**

BP 62001

13845 Vitrolles Cedex 9

info@andilog.com • www.andilog.com

Tél. : +33 820 888 202 • Fax : +33 820 888 902