



CENTOR First Force measurement

TECHNOLOGIES **ANDILOG**

Accurate and simple force measurement

Simple and yet complete, the CENTOR First uses efficient technology to simplify force measurements, in tension and compression. A big display shows the force measured in tension or compression in the unit selected by the operator : newtons, kilograms or pounds. The bar graph completes the measurement. The 3 keys make it very easy to use this force gauge and access the essential functions: measurement of the peak tension or compression value, resetting to zero, and

changing the measuring units. It is an ideal tool for basic tests during production. Its metal casing, protected by an elastomer overmould, gives it exceptional strength. The internal sensor stands up to an overload of 200% of its maximum capacity. Simple, precise, robust, supplied with its own carrying case, mains adaptor and certificate. Ready for use, it is the basic tool for force measurement.



Centor First



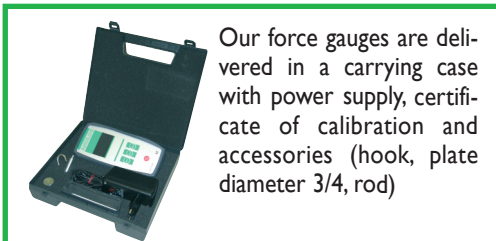
Centor First XZ with RS232 output

Specifications

FEATURES	CENTOR FIRST	CENTOR FIRST XZ
Accuracy	0,25 % FS	0,25 % FS
Resolution	1/10 000 FS	1/10 000 FS
Data rate	1 000 Hz	1 000 Hz
Sensor protected from overload	200% FS	200% FS
Units	N, Lb, Kg	N, Lb, Kg
Auto-off	15 minutes	15 minutes
Bargraph	✓	✓
Peak in tension and compression	✓	✓
Tare	✓	✓
Reversible display	180°	180°
Operates on rechargeables batteries	✓	✓
8 hours of operations without recharging	✓	✓
Fast charge	✓	✓
Low battery indicator	✓	✓
Metal casing and protective elastomer overmould	✓	✓
Threaded fixinh holes on the back	✓	✓
RS232 output		Current reading

Models and capacities

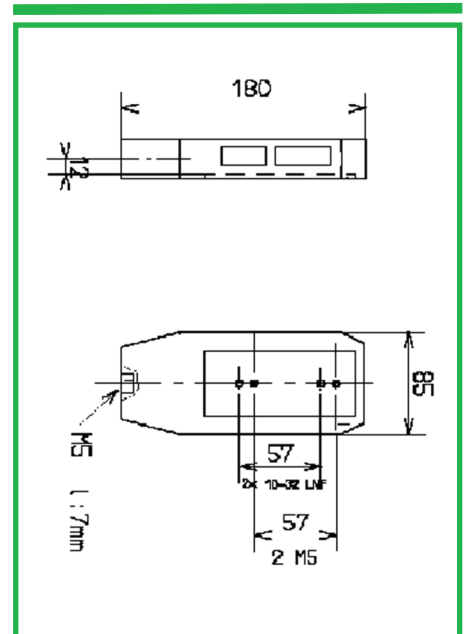
MODELS	CAPACITIES	ACCURACY	RESOLUTIONS
CNR FT 100	100 N	0.25 N	0.1 N
CNR FT 250	250 N	0.62 N	0.1 N
CNR FT 500	500 N	1.25 N	0.1 N
CNR FT 100 XZ	100 N	0.25 N	0.1 N
CNR FT 250 XZ	250 N	0.62 N	0.1 N
CNR FT 500 XZ	500 N	1.25 N	0.1 N



Our force gauges are delivered in a carrying case with power supply, certificate of calibration and accessories (hook, plate diameter 3/4, rod)



Dimensions



TECHNOLOGIES **ANDILOG**



Certifié ISO 9001:2000

ANDILOG Technologies

BP 62001

13845 Vitrolles Cedex 9

info@andilog.com • www.andilog.com

Tél. : +33 820 888 202 • Fax : +33 820 888 902